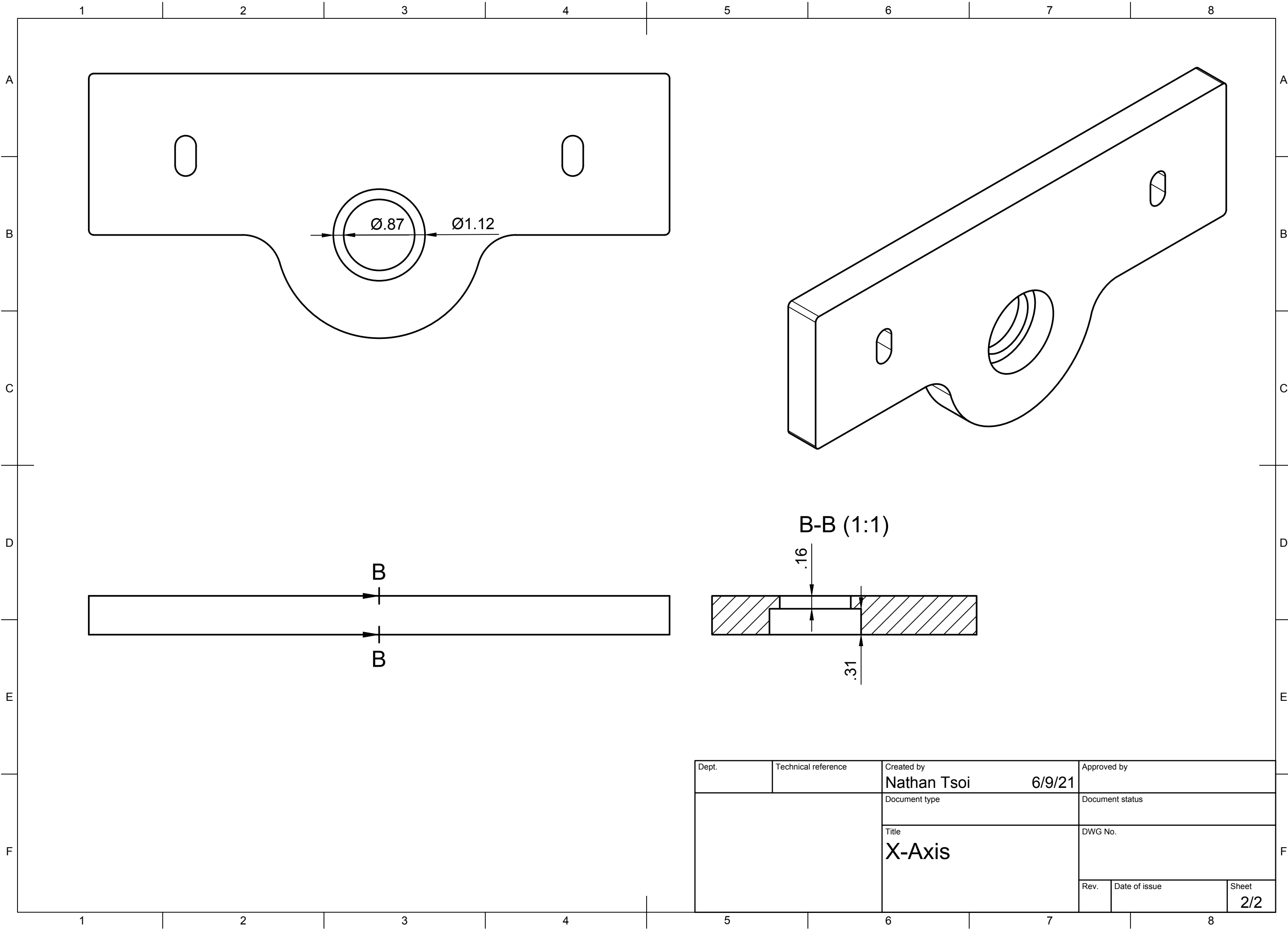
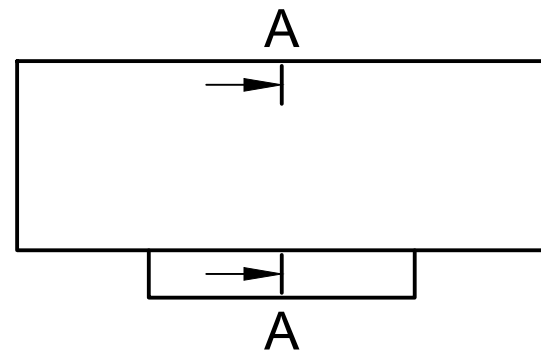
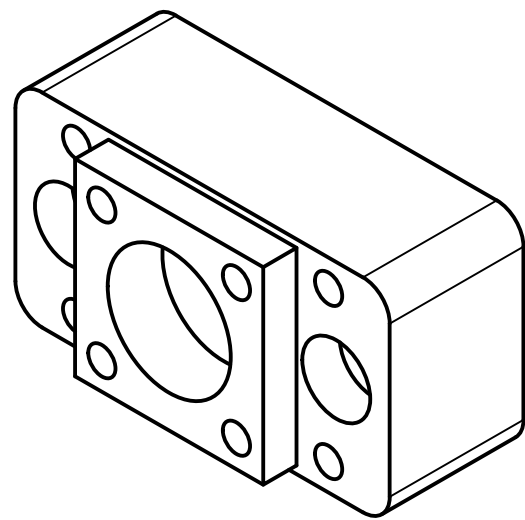
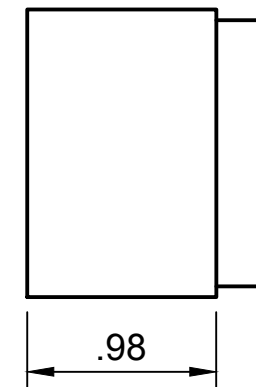
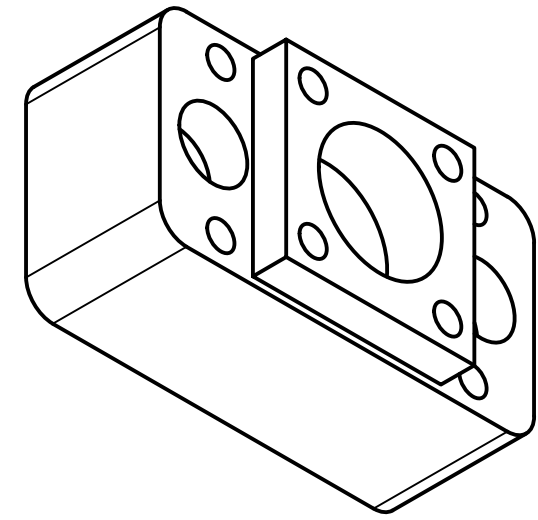
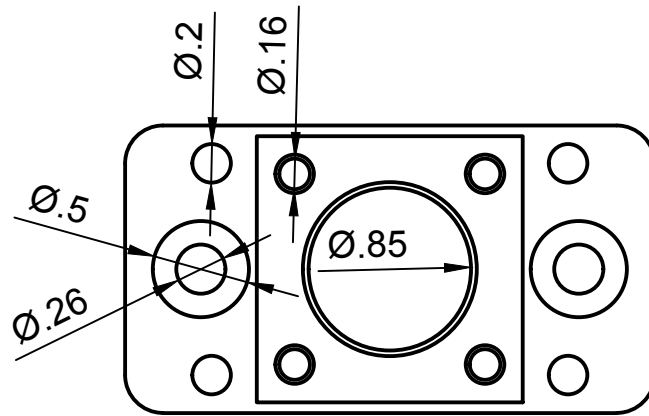
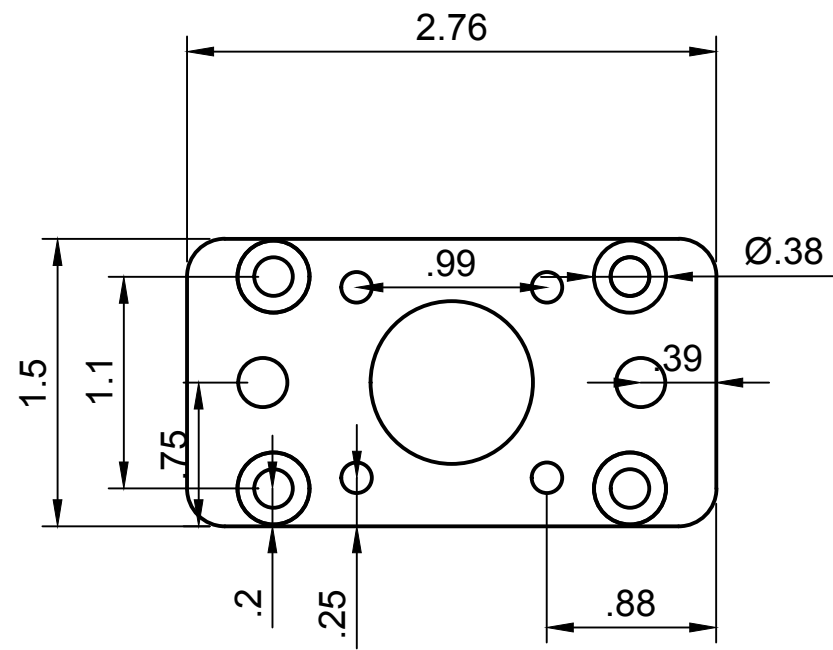


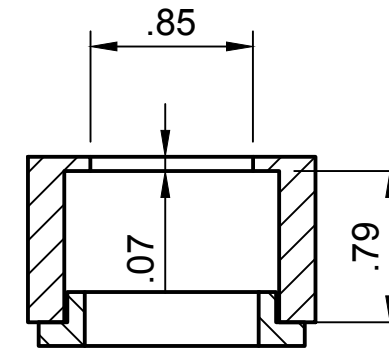
Dept.	Technical reference	Created by Nathan Tsoi	6/9/21	Approved by
		Document type	Document status	
		Title X-Axis	DWG No.	
		Rev.	Date of issue	Sheet 1/2



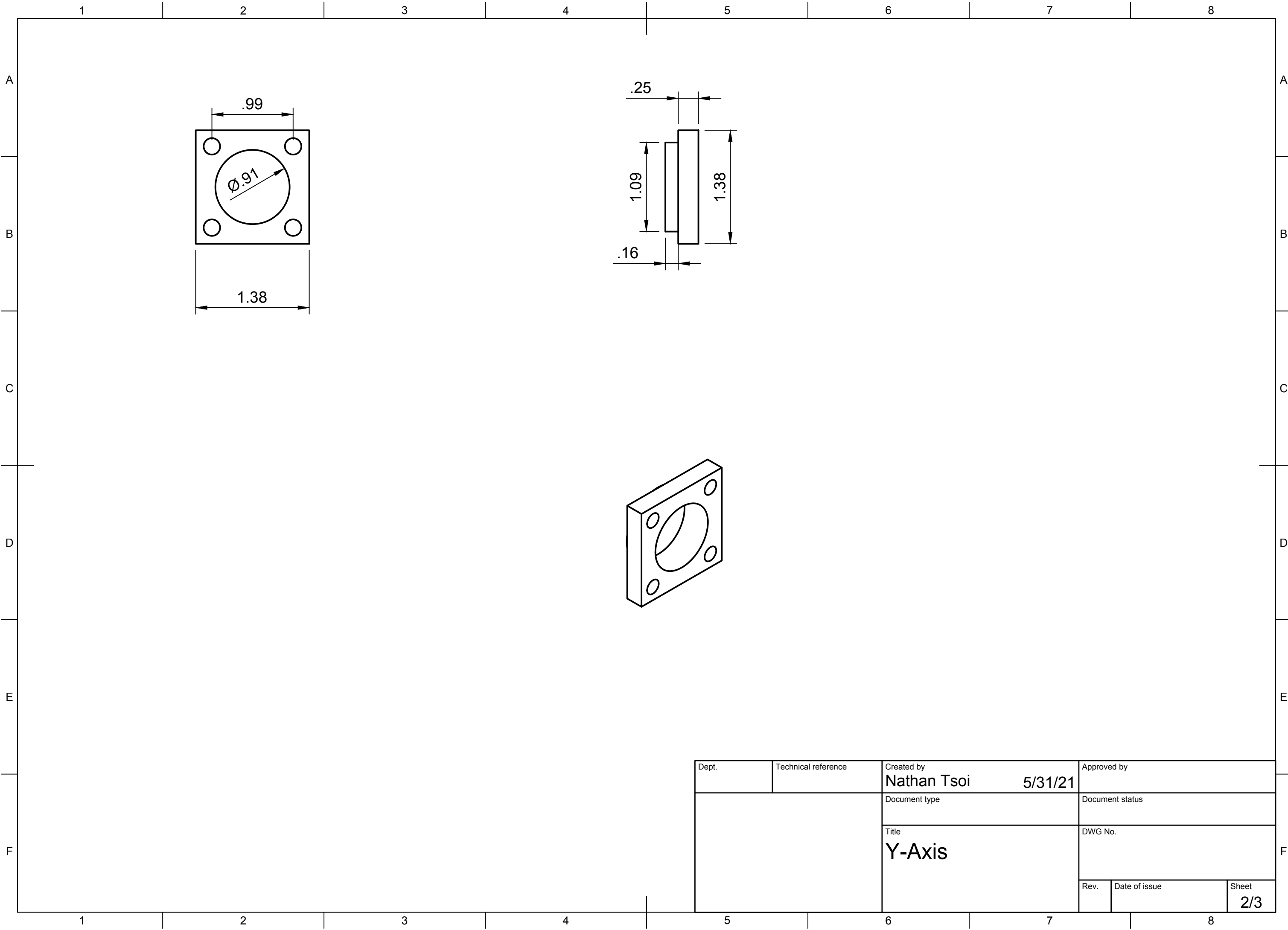
Dept.	Technical reference	Created by Nathan Tsoi	6/9/21	Approved by
		Document type	Document status	
		Title X-Axis	DWG No.	
		Rev.	Date of issue	Sheet 2/2



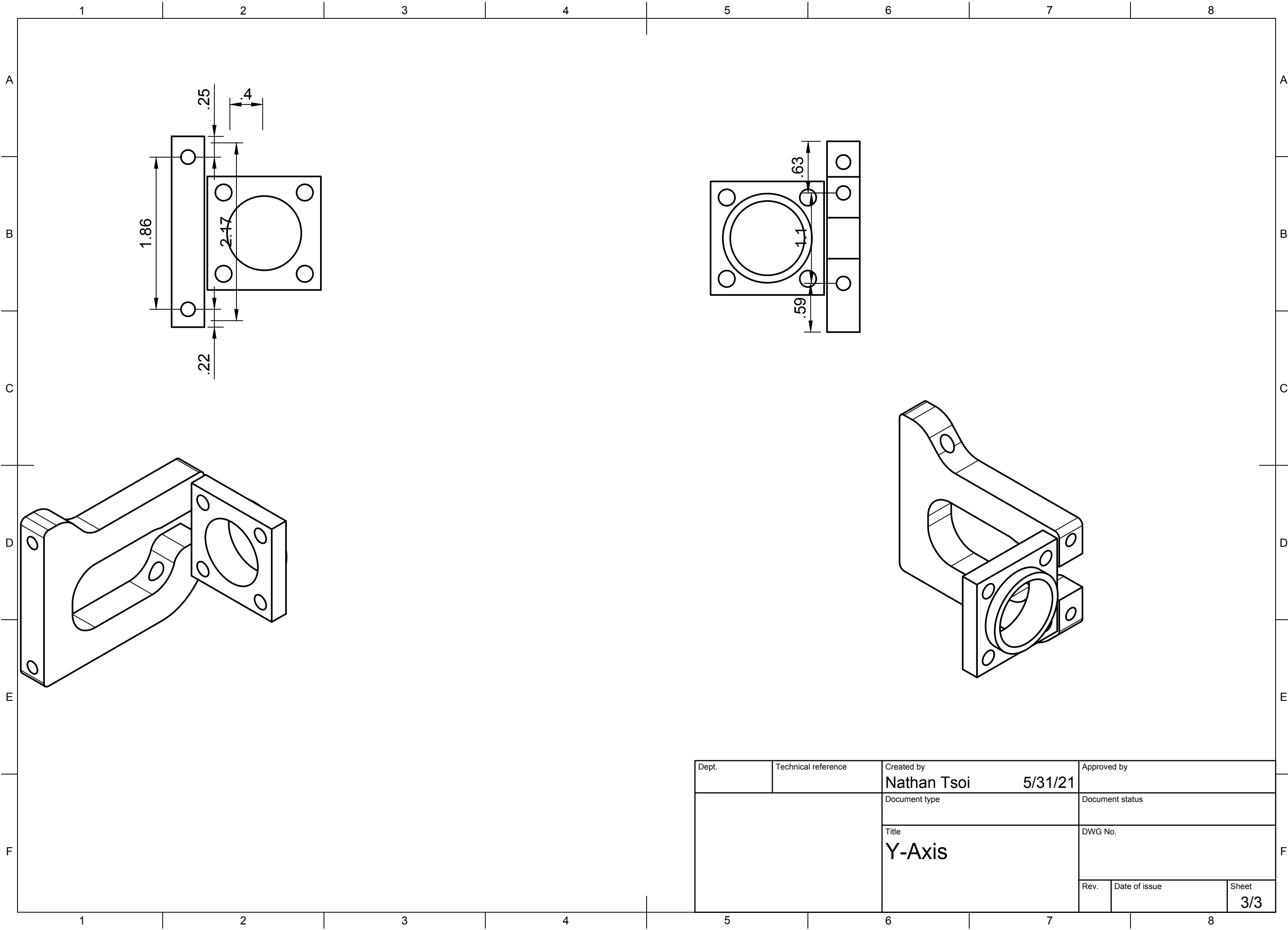
A-A (1:1)



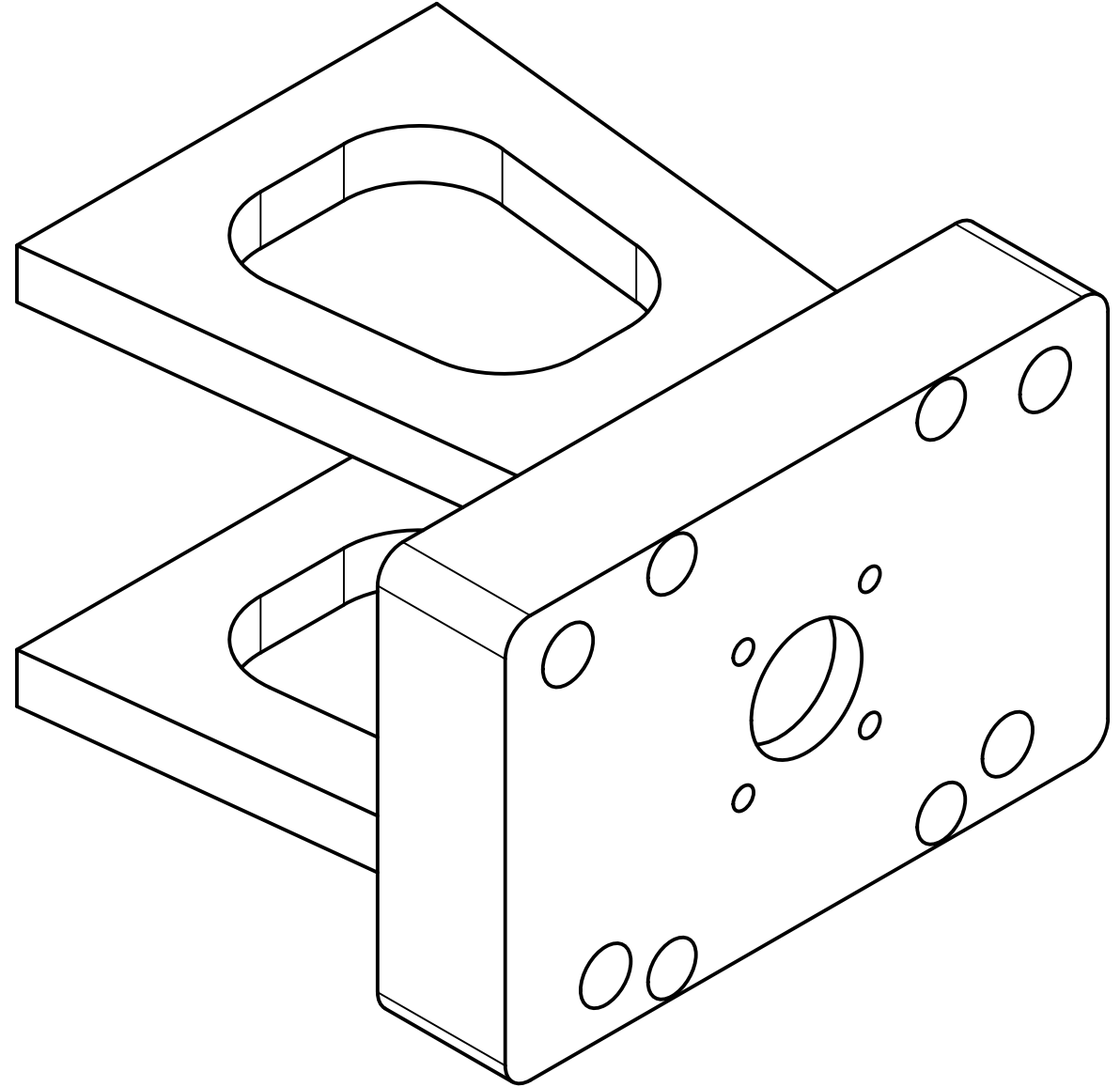
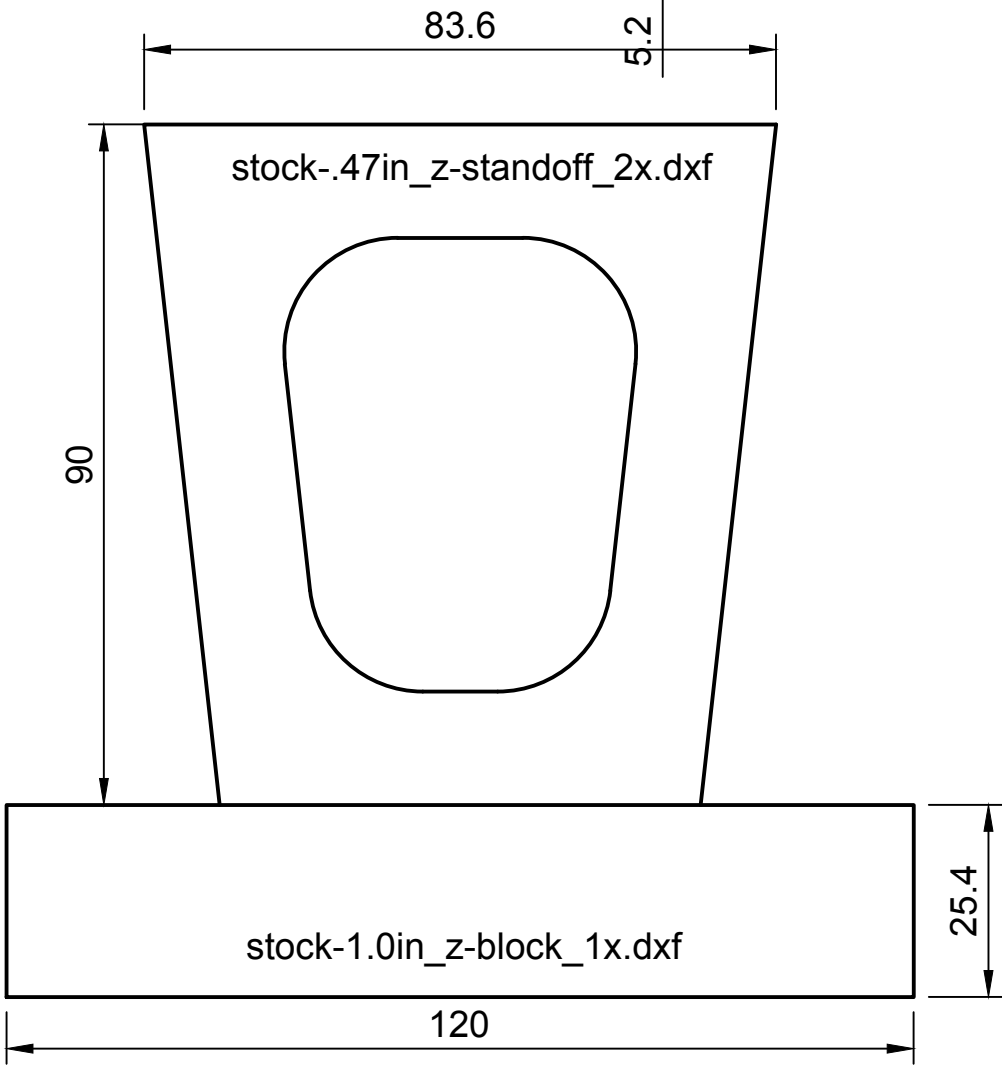
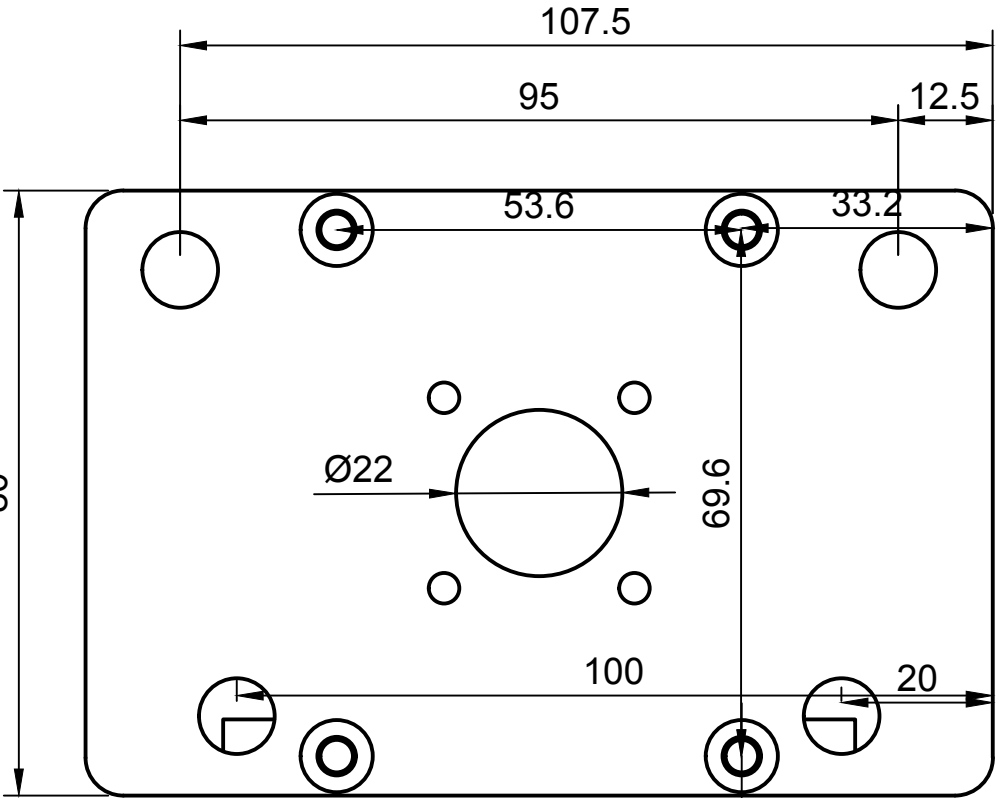
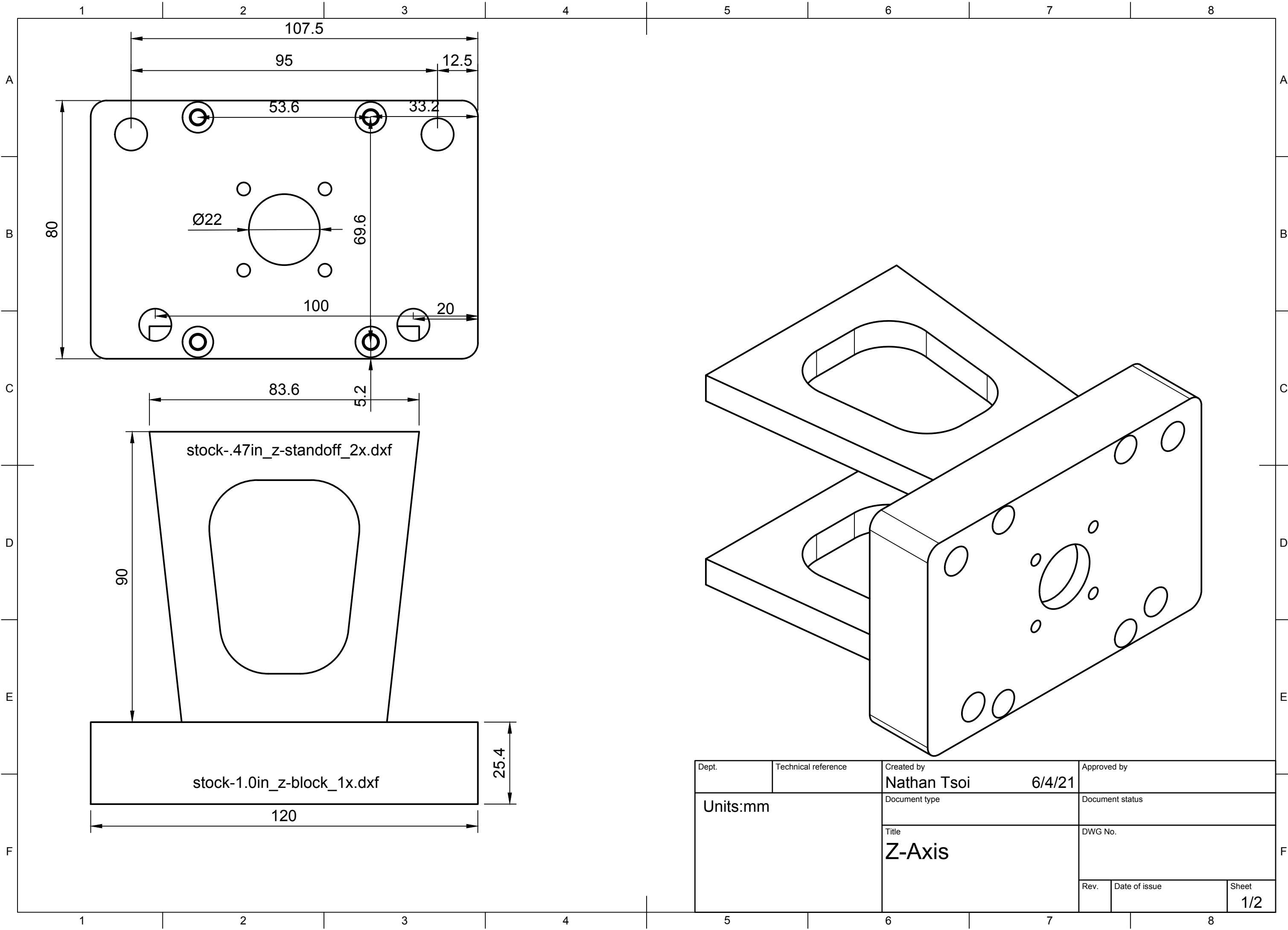
Dept.	Technical reference	Created by Nathan Tsoi	5/31/21	Approved by
		Document type	Document status	
		Title Y-Axis	DWG No.	
Rev.	Date of issue	Sheet		1/3



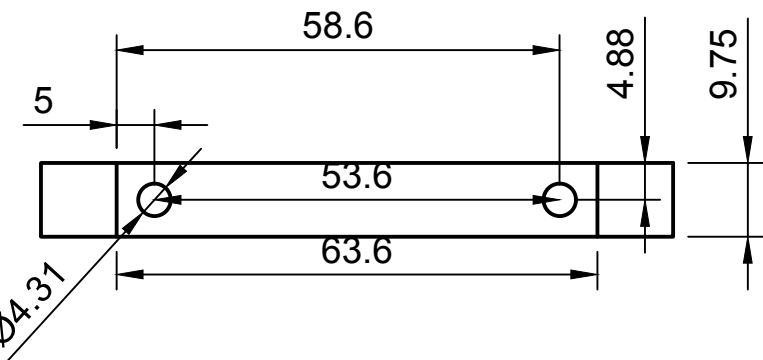
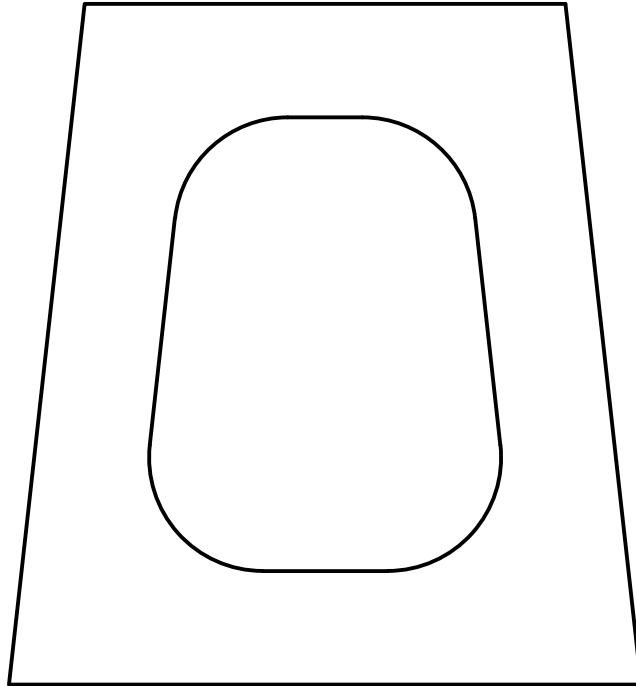
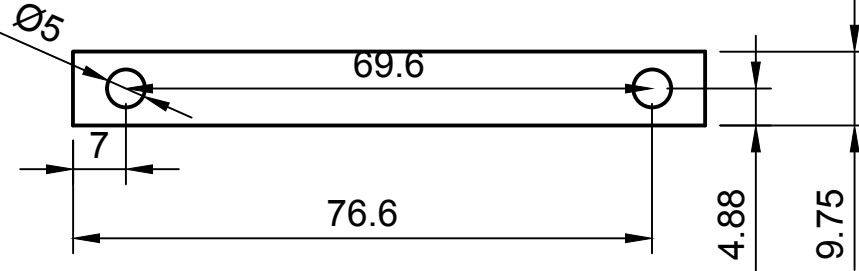
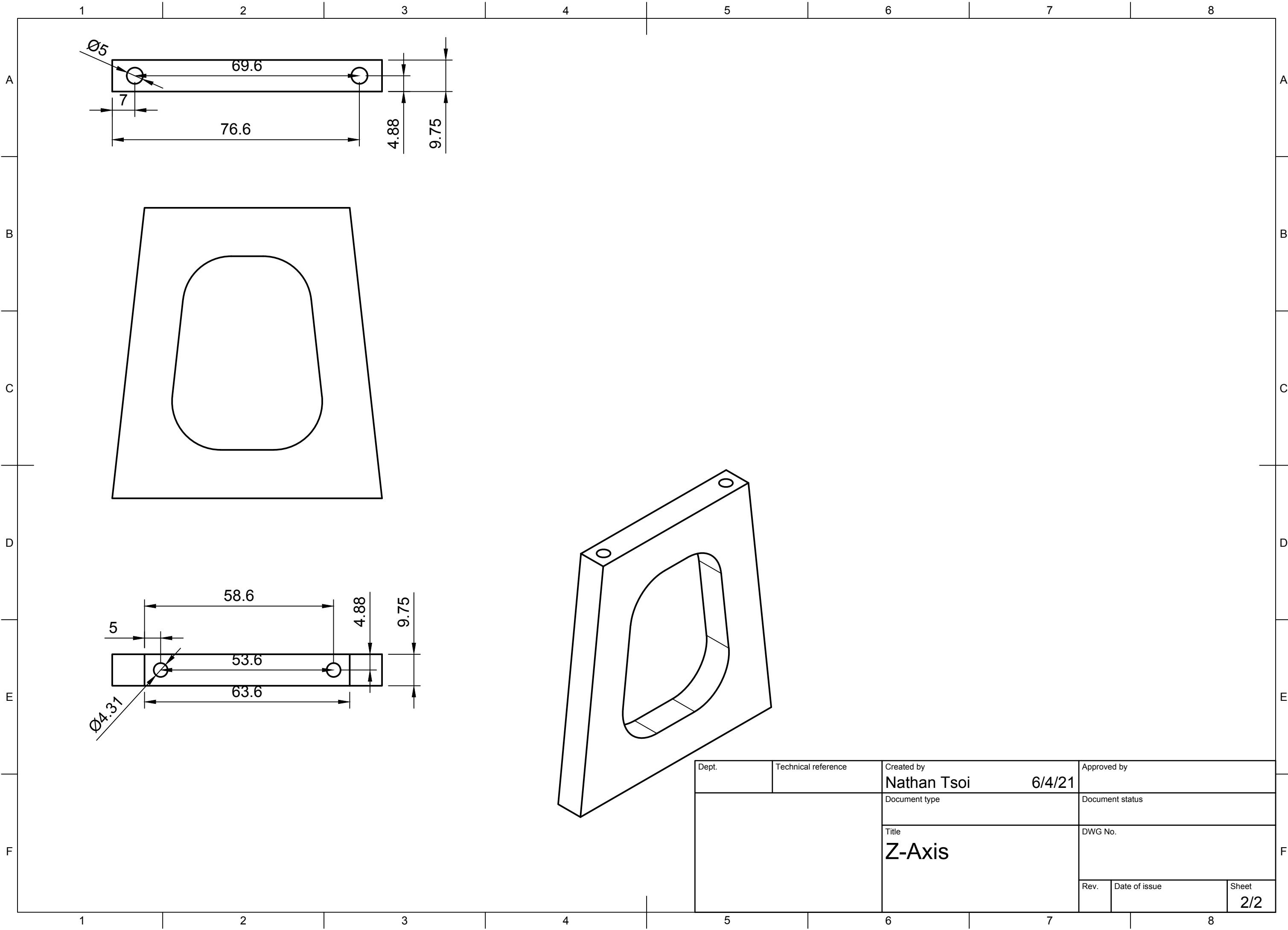
Dept.	Technical reference	Created by Nathan Tsoi	5/31/21	Approved by
		Document type	Document status	
		Title Y-Axis	DWG No.	
Rev.	Date of issue	Sheet	2/3	



Dept.	Technical reference	Created by Nathan Tsoi	5/31/21	Approved by	
		Document type	Document status		
		Title Y-Axis	DWG No.		
		Rev.	Date of issue	Sheet 3/3	



Dept.	Technical reference	Created by Nathan Tsoi	6/4/21	Approved by
Units:mm		Document type	Document status	
		Title Z-Axis	DWG No.	
		Rev.	Date of issue	Sheet 1/2



Dept.	Technical reference	Created by Nathan Tsoi	6/4/21	Approved by
		Document type	Document status	
		Title Z-Axis	DWG No.	
Rev.	Date of issue	Sheet	2/2	